



**Foster** 

## 8491 100 Mixer Tap Volta

Rotating Barrel 140°

### FEATURES

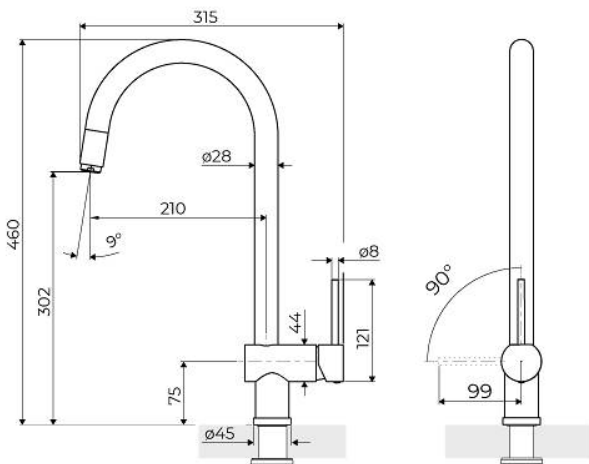
Strengthening plate  
Rotating plate

### DESIGN AND MATERIALS

Mixer type: Single lever mixer tap with rotating barrel  
Material: Brass  
Texture: Satin

### DETAILS

Cartridge: With ceramic discs  
Rotating angle: 140°  
Strengthening plate:  $\varnothing 45$  mm  
Mixer hole:  $\varnothing 35$  mm  
Max worktop thickness: 55 mm



Despite careful data management, our brands reserve the right to make changes, and discrepancies may occur.

## MVP APPLIANCES

Head Office / Showroom Dubai  
PO Box 37959, Dubai  
+971 4 380 9490

Showroom Abu Dhabi  
PO Box 28239, Abu Dhabi  
+971 2 444 6160

Service Center  
UAE 600 555 602



MVPAPPLIANCES.COM