



ALGOR

ALG30BICD

Built-In Refrigerator 60 cm

Lorem ipsum

DIMENSIONS

H: 1776 mm

W: 540 mm

D: 540 mm

VOLUME

NET

Refrigerator 232 l

Freezer 78 l

GROSS

Gross volume total 310 l

FEATURES

Adjustable thermostat

Automatic defrosting (Refrigerator)

Manual defrosting (Freezer)

LED interior light

2 Reversible doors

ACCESSORIES

Glass shelves

Transparent shelves

Vegetable shelves: 1

Egg tray: 1

Ice cube tray: 1

Numbers of compressors: 1

SPECIFICATIONS

Energy efficiency class: A+

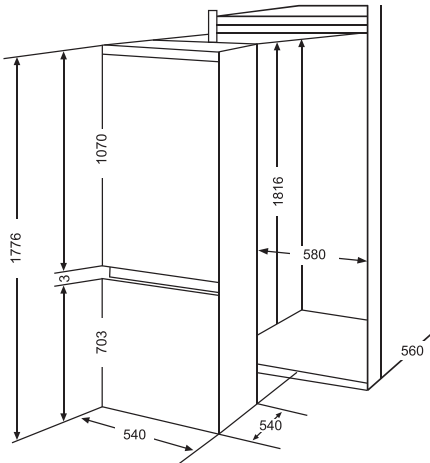
Energy consumption per year: 273 kwh/Per Year

Energy consumption for 24hr: 0.75 kwh

Noise level: 38 dB(A)

Power: 130 Watt

Freezing capacity: 3.5 kg/24h



FINISH

White

Despite careful data management, our brands reserve the right to make changes, and discrepancies may occur.

MVP APPLIANCES

Head Office / Showroom Dubai
PO Box 37959, Dubai
+971 4 380 9490

Showroom Abu Dhabi
PO Box 28239, Abu Dhabi
+971 2 444 6160

Service Center
UAE 600 555 602



MVPAPPLIANCES.COM