



ELBA

**ELIO E91 MF
Built-In Electric Oven 90 cm**

Multi-Function, 2 Fans, Rotisserie



DIMENSIONS

External dimensions

W: 895 mm

H: 595 mm

D: 550 mm

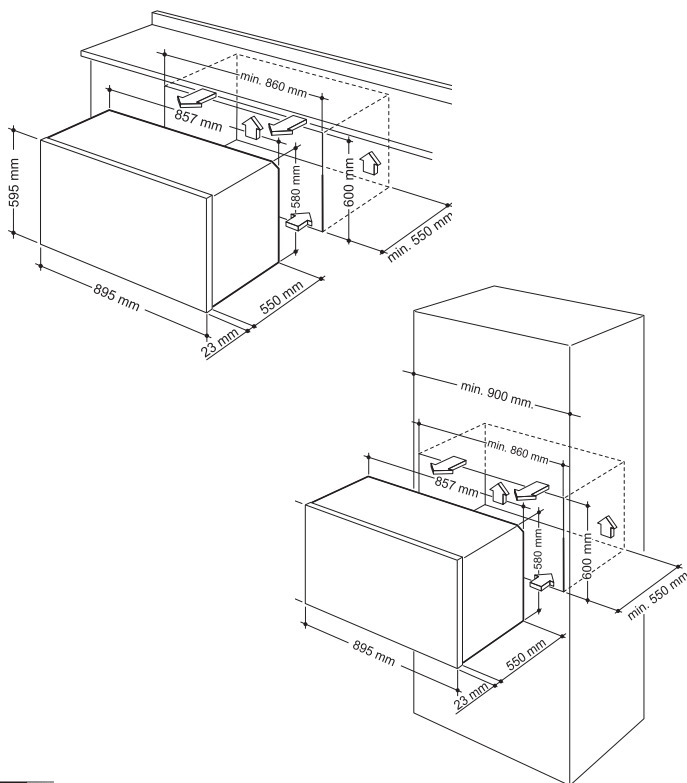
VOLUME

GROSS

Gross cavity 141 l

NET

Net cavity 121 l



FINISH

Black glass

Brushed metal knobs and handle

FEATURES

Giant electric multifunction oven

10 functions

Elio larger knobs with bezel

Start/end of cooking touch control electronic programmer

Premium grade solid metal handle

4 Halogen lights (2 on the sides + 2 on top of the cavity)

Triple glass door with removable inner glass

Soft closing door

Dark grey glass design

Easy to clean enamel coating

7 levels rack

Booster fast preheating

Cooling fan and Turbo fan

Rotisserie function

ACCESSORIES

1 Tray

1 Flat shelf

1 Deeper space saver shelf

1 Grill pan

1 Rotisserie kit



MVP APPLIANCES

Head Office / Showroom Dubai
PO Box 37959, Dubai
+971 4 380 9490

Showroom Abu Dhabi
PO Box 28239, Abu Dhabi
+971 2 444 6160

Service Center
UAE 600 555 602



MVPAPPLIANCES.COM