



ELBA

ELIO EL 10 XLX 300 Built-In Electric Oven 60 cm

Multi-Function, Easy Steam, Idroclean



DIMENSIONS

External dimensions

W: 595 mm

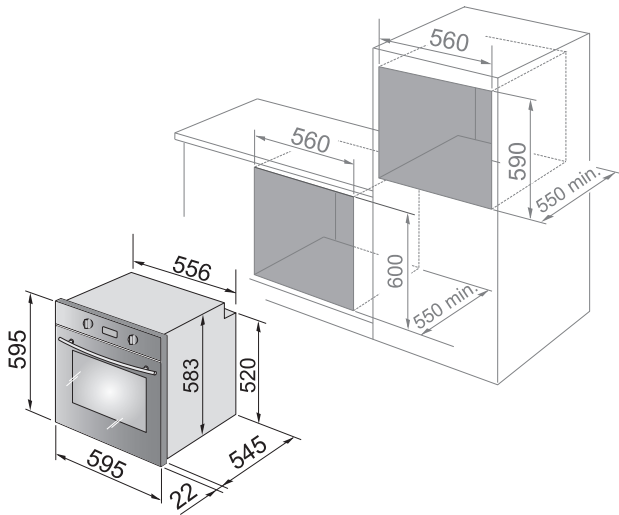
H: 595 mm

D: 550 mm

VOLUME

NET

Net cavity 74 l



FEATURES

Electric multifunction oven

11 functions

7 Levels side rack

Easy steam function

Idroclean function

Booster fast preheating

Rotisserie function

Leavening function

Master Pizza 300°C

Start/end of cooking touch control electronic programmer

Triple glass door with removable inner glass

Open door light

1 light

Cooling fan

ACCESSORIES

1 Tray

1 Flat shelf

1 Pizza stone

1 Rotisserie kit

Telescopic sliding guides



FINISH

Black glass

Stainless steel

Brushed metal knobs and handle

MVP APPLIANCES

Head Office / Showroom Dubai
PO Box 37959, Dubai
+971 4 380 9490

Showroom Abu Dhabi
PO Box 28239, Abu Dhabi
+971 2 444 6160

Service Center
UAE 600 555 602



MVPAPPLIANCES.COM