



**ELBA**

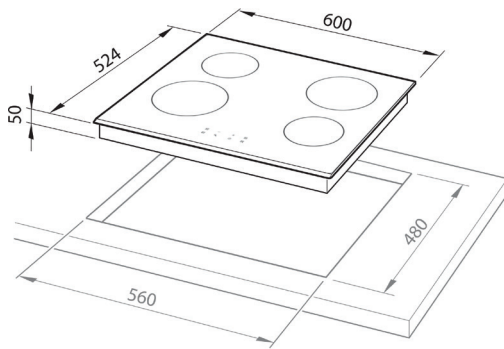
## ELIO EVC 604 XFWW Vitroceramic Hob 60 cm

Key Lock, Booster

### DIMENSIONS

W: 600 mm

D: 524 mm



### FEATURES

- 4 zones including 1 double zone
- Ceramic glass hob
- Stainless steel front trim
- Front touch control
- End of cooking programmer
- Key lock
- Booster
- Safety devices
- Residual heat indicator

### SPECIFICATIONS

Total electric absorption: 5900 W

Power management from 2.5kw to maximum power



**FINISH**  
White

## MVP APPLIANCES

Head Office / Showroom Dubai  
PO Box 37959, Dubai  
+971 4 380 9490

Showroom Abu Dhabi  
PO Box 28239, Abu Dhabi  
+971 2 444 6160

Service Center  
UAE 600 555 602



MVPAPPLIANCES.COM