



# ELBA

## EL8028BK Built-In Cooker Hood

Duct-out/Recycling

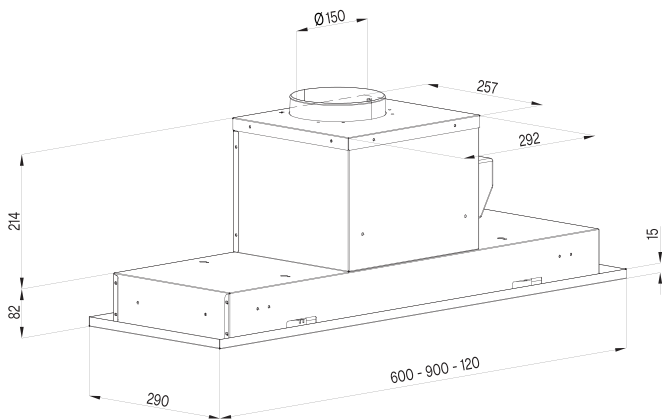
### DIMENSIONS

Available in 3 sizes:

W: 600 mm

W: 900 mm

W: 120 mm



### FEATURES

Push button control

Materials: SS430

1 meter aluminium foil pipe

### PERFORMANCE

LED Light: 2x1.5 W

Airflow: 1000 m<sup>3</sup>/h

Max. noise level: 72 dB

Motor: 260 W

### FILTERS

Charcoal filter

Washable aluminium filter, with carbon filters

**FINISH**  
Black

## MVP APPLIANCES

Head Office / Showroom Dubai  
PO Box 37959, Dubai  
+971 4 380 9490

Showroom Abu Dhabi  
PO Box 28239, Abu Dhabi  
+971 2 444 6160

Service Center  
UAE 600 555 602



MVPAPPLIANCES.COM