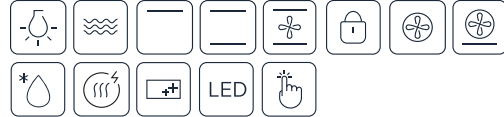




ELBA

550-00BKQ Built-In Microwave Oven 60 cm

13 Auto Menus, 3D Convection



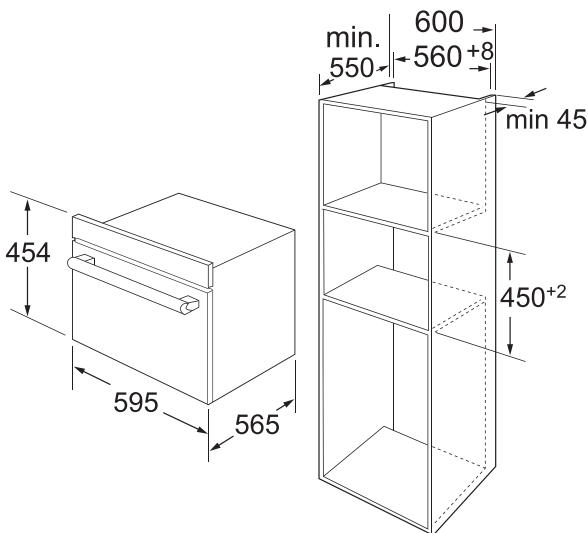
DIMENSIONS

External dimensions

W: 595 mm

H: 454 mm

D: 565 mm



FEATURES

- 50 l capacity
- White LED display
- Full touch control panel
- 3 Layer glass door (removable)
- Easy clean
- Electronic oven clock timer
- Full function compact oven
- 13 Auto menus
- Stainless steel pull down open door
- Enamel cavity
- 96 mm Control panel

SPECIFICATIONS

- Oven temperature range 50-250°C
- Dough proving temperature 30-45°C
- Microwave input 1650W
- Microwave output 900W
- Oven max power 3000W

COOKING FUNCTION

- 3D Convection fan
- Defrosting function
- Combi-Cooking
- Fast-Preheating (4 min to 180°C)

ACCESSORIES

- 1 Grill rack
- 1 Baking tray
- 1 Baking tray - Enamel tray
- 1 Baking tray - Glass tray

FINISH
Black

MVP APPLIANCES

Head Office / Showroom Dubai
PO Box 37959, Dubai
+971 4 380 9490

Showroom Abu Dhabi
PO Box 28239, Abu Dhabi
+971 2 444 6160

Service Center
UAE 600 555 602



MVPAPPLIANCES.COM