



Foster 

**8521 000
Mixer Tap FL**

Rotating Angle 360°, Flexible Head

FEATURES

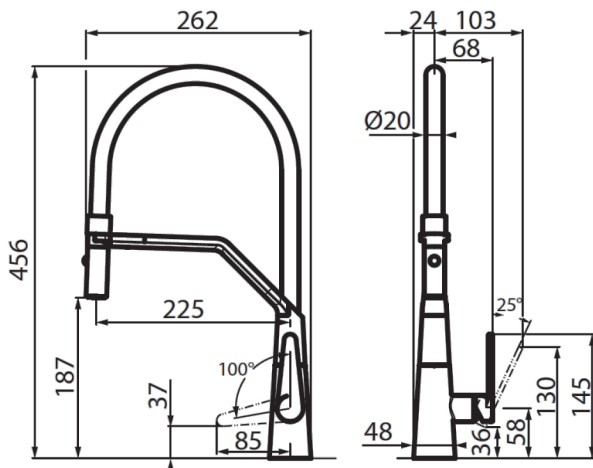
- Double jet (flow and rain)
- Strengthening plate
- Rotating plate


DESIGN AND MATERIALS

- Mixer type: Single lever faucet with rotating barrel and flexible head
- Material: Brass
- Texture: Chromed

DETAILS

- Cartridge: With ceramic discs
- Rotating angle: 360°
- Strengthening plate: 48 x 48 mm
- Mixer hole: Ø35 mm
- Max worktop thickness: 40 mm



 **COLOR / FINISH**
Black

Despite careful data management, our brands reserve the right to make changes, and discrepancies may occur.

MVP APPLIANCES

Head Office / Showroom Dubai
PO Box 37959, Dubai
+971 4 380 9490

Showroom Abu Dhabi
PO Box 28239, Abu Dhabi
+971 2 444 6160

Service Center
UAE 600 555 602



MVPAPPLIANCES.COM