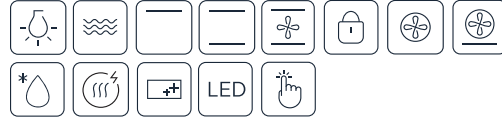




ELBA

440-00SS Built-In Microwave Oven 60 cm

13 Programs, Overheat Protection



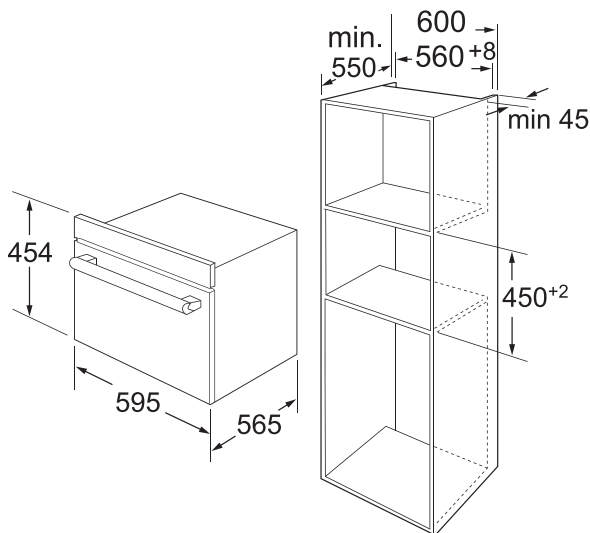
DIMENSIONS

External dimensions

W: 595 mm

H: 454 mm

D: 565 mm



FEATURES

- 44 l capacity
- Full touch control panel
- Multifunctional microwave oven / grill
- 13 Cooking programmes
- 2 programs of defrosting
- LED Display
- Child safety lock
- Fast preheating: 5 min to 230°C
- 3 Layer glass door

SPECIFICATIONS

- Maximum power 3350 W
- Microwave power 900 W
- Rated current 15A
- Turntable diameter Ø 360 mm
- Top heater 1750 W
- Bottom heater 600 W
- Net weight Approx. 36kg

COOKING FUNCTION

- 3D Hot air convection
- Auto-off timer
- Defrost by weight and time
- 4 Combine cooking types
- Overheat protection
- Short-circuit protection

ACCESSORIES

- 1 Turntable
- 1 Lower wire rack
- 1 Higher wire rack

FINISH
Black glass
Stainless steel

MVP APPLIANCES

Head Office / Showroom Dubai
PO Box 37959, Dubai
+971 4 380 9490

Showroom Abu Dhabi
PO Box 28239, Abu Dhabi
+971 2 444 6160

Service Center
UAE 600 555 602



MVPAPPLIANCES.COM