



SEASHELL Suspended Island Cooker Hood

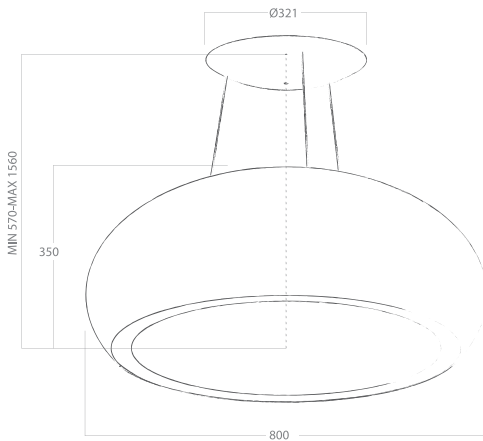
Filtering

FEATURES

Design Fabrizio Crisà
Filtering
Suspended extractor hood
Delay switch off
Dual function light and cooker hood
High-performance perimeter extraction
Grease aluminium filter included
Regenerable charcoal filter included
Remote control included

DIMENSIONS

W: 800 mm
Ø: 800 mm



FINISH

Available in 3 colors



Matt white



Matt black



Shiny
stainless steel

LIGHTING

Type: Strip NEON 4X24 W
Intensity: 1300 LUX
Temperature: 6500 K

PERFORMANCE

Controls: 3S+B Remote control
Min-Max airflow: 250-800 m³/h
Min-Max noise level: 55-67 db(A)
Total absorption: 350 W

OPTIONAL ACCESSORIES

Long life filter
Extension cable kit (2,5m)



MVP APPLIANCES

Head Office / Showroom Dubai
PO Box 37959, Dubai
+971 4 380 9490

Showroom Abu Dhabi
PO Box 28239, Abu Dhabi
+971 2 444 6160

Service Center
UAE 600 555 602



MVPAPPLIANCES.COM