

# Foster

## 1555 600 Sink Uragano 2 bowls

Standard - 8 mm Edge

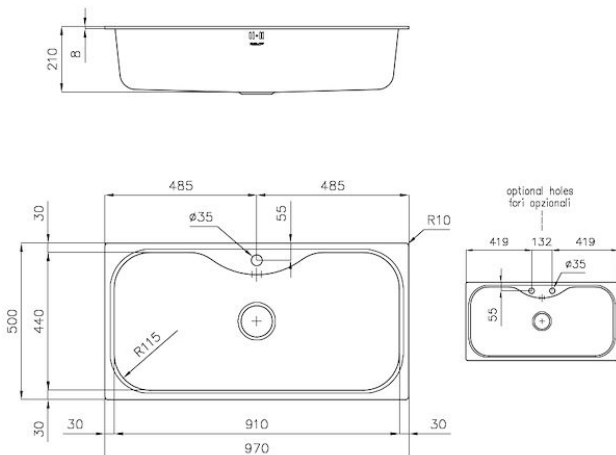


### FEATURES

Sliding brackets  
High thickness  
Deep bowls

### DIMENSIONS

970 x 500 mm



### DESIGN AND MATERIALS

Material: AISI 304 Stainless steel  
Texture: Foster brushed

### DETAILS

Number of bowls: 1  
Waste fitting: 3.5" drain  
Standard fittings: Fixing hooks, gasket, drain, overflow and siphon, boxed packing  
Mixer holes: 1 standard hole

### OPTIONAL ACCESSORIES

Stainless steel bowl-holder ring (8100 112)  
Vaschetta bianca (8152 100)  
White colander (8151 100)



 **COLOR / FINISH**  
Stainless steel

Despite careful data management, our brands reserve the right to make changes, and discrepancies may occur.

## MVP APPLIANCES

Head Office / Showroom Dubai  
PO Box 37959, Dubai  
+971 4 380 9490

Showroom Abu Dhabi  
PO Box 28239, Abu Dhabi  
+971 2 444 6160

Service Center  
UAE 600 555 602



MVPAPPLIANCES.COM