



Foster 

8467 000 Mixer Tap Camillo Chromed

Rotating Angle, Extractable Shower Head

FEATURES

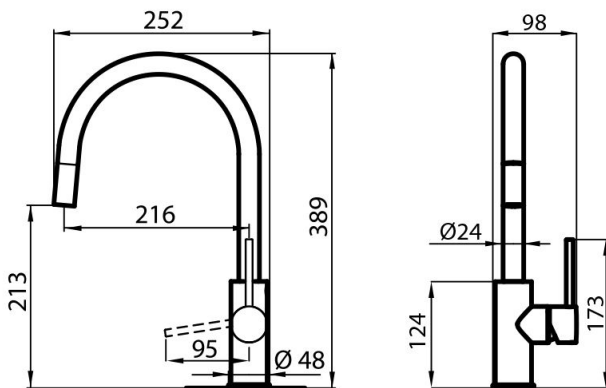
Extractable head
Strengthening plate

DESIGN AND MATERIALS

Mixer type: Single lever mixer tap with rotating barrel and extractable shower head
Material: Brass
Texture: Chromed

DETAILS

Cartridge: With ceramic discs
Rotating angle: 170°
Strengthening plate: Ø48 mm
Mixer hole: Ø35 mm
Max worktop thickness: 40 mm



Despite careful data management, our brands reserve the right to make changes, and discrepancies may occur.

MVP APPLIANCES

Head Office / Showroom Dubai
PO Box 37959, Dubai
+971 4 380 9490

Showroom Abu Dhabi
PO Box 28239, Abu Dhabi
+971 2 444 6160

Service Center
UAE 600 555 602



MVPAPPLIANCES.COM