



LIEBHERR

EKB 9671 Fridge BioFresh

Monolith, Integrated

DIMENSIONS

H: 213.4 cm
W: 91.4 cm
D: 61 cm

WEIGHT

196 kg

MANAGEMENT AND FUNCTIONS

Control unit: Touch
Control: 3.5" colour LCD display
Number of temperature zones: 3
Number of regulated refrigeration circuits: 2
Temperature display: Fridge compartment & BioFresh safe

POWER AND CONSUMPTION

Energy consumption per year 263 kWh/a
Energy Label: EnergyStar
Voltage: 220-240 V ~
Frequency 50 Hz
Connection rating: 1.5 A 248.5 W

INSTALLATION

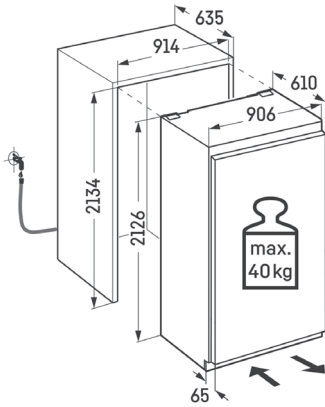
Type of installation: Designed for integrated use
Door hinge replacement: Possible through customer service
Door opening angle: 115°
Height-adjustable feet: 4
Base ventilation
Max. kitchen unit door weight: 40
Connector cable (length): 2,500 mm

REFRIGERATOR COMPARTMENT

Adjustable temperature range: +2 °C to +7 °C
Freshness technology: BioFresh
Number of BioFresh safes: 2
Interior light of BioFresh safe: Down light
Defrosting method: Automatic SoftSystem
Illumination cooling compartment: Illuminated side wall
Number of storage shelves: 4
of which height-adjustable: 3
Number of can racks: 2
Number of FlexSystems: 1
Storage rack: Gallon rack

DESIGN AND MATERIALS

Material door shelves: Plastic
Storage shelf material, refrigerator compartment: Glass
Door material: Steel



FINISH
Stainless steel

Despite careful data management, our brands reserve the right to make changes, and discrepancies may occur.

MVP APPLIANCES

Head Office / Showroom Dubai
PO Box 37959, Dubai
+971 4 380 9490

Showroom Abu Dhabi
PO Box 28239, Abu Dhabi
+971 2 444 6160

Service Center
UAE 600 555 602



MVPAPPLIANCES.COM