

LIEBHERR

EWTdf 3553 Vinidor Built-In Wine Cooler

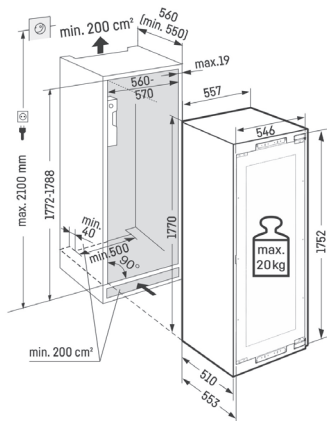
Reversible Door Hinges, Low-vibration

DIMENSIONS

H: 177 cm
W: 55.7 cm
D: 55.3 cm

VOLUME

Volume total 259 l
Refrigerator compartments
259 l



WEIGHT

90 kg

INSTALLATION

Door assembly: Fixed door
Max. kitchen unit door weight: 20
Door hinges: Right reversible
Height-adjustable feet: 2

MANAGEMENT AND FUNCTIONS

Control unit: Touch
Temperature display: Wine compartment
Malfunction, warning signal: Optical and acoustical
Door open - warning signal, wine storage
compartment: Audible
Child proofing

POWER AND CONSUMPTION

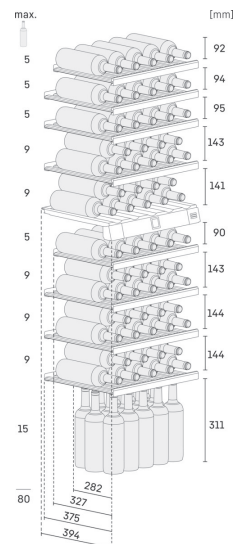
Voltage 220-240 V ~
Frequency: 50/60 Hz
Connection rating: 1.5 A
Energy efficiency class G
Energy consumption per year 162 kWh/a
Climate class SN-ST
Noise level: 32 dB
Refrigerant: R 600a

REFRIGERATOR COMPARTMENT

SoftSystem

WINE STORAGE COMPARTMENT

Forced air cooling
Maximum number of 0.75 l Bordeaux bottles: 80
Lighting: Continuously dimmable LED light
· dimmable
· permanently activated
Number of storage shelves: 10
of which can be pulled out on telescopic rails: 8
Number of shelves, of which presentation
shelves: 1
Storage shelf material: Wooden pull-out shelf
Activated charcoal filter



Despite careful data management, our brands reserve the right to make changes, and discrepancies may occur.

MVP APPLIANCES

Head Office / Showroom Dubai
PO Box 37959, Dubai
+971 4 380 9490

Showroom Abu Dhabi
PO Box 28239, Abu Dhabi
+971 2 444 6160

Service Center
UAE 600 555 602



MVPAPPLIANCES.COM