



CT35 PRO Built-In Cooker Hood

Duct-Out



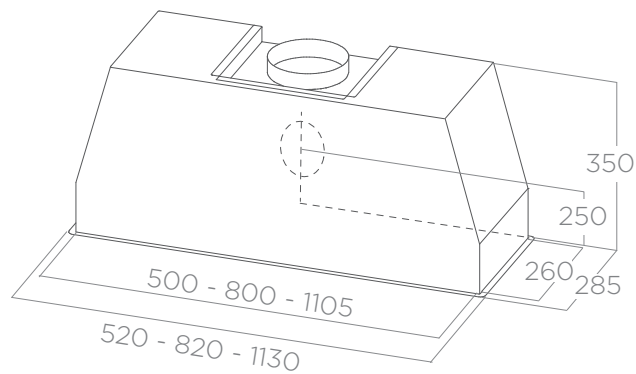
FEATURES

- Design Fabrizio Crisà
- Delay switch off
- Total integration
- Easy cleaning and maintenance
- Professional stainless steel grease filter included

DIMENSIONS

Available in 3 sizes:

- W: 600 mm
- W: 900 mm
- W: 1200 mm



LIGHTING

- Type: Stripe LED 2x3 W
- Intensity:
 - 600 mm 121 LUX
 - 900 mm 97 LUX
 - 1200 mm 73 LUX
- Temperature: 4200 K

PERFORMANCE

- Controls: 3S+B Electronic push button
- Min-max airflow: 250 - 1100 m³/h
- Total absorption: 281 W
- Min-Max noise level: 51 - 69 db(A)



FINISH
Stainless steel

MVP APPLIANCES

Head Office / Showroom Dubai
PO Box 37959, Dubai
+971 4 380 9490

Showroom Abu Dhabi
PO Box 28239, Abu Dhabi
+971 2 444 6160

Service Center
UAE 600 555 602



MVPAPPLIANCES.COM